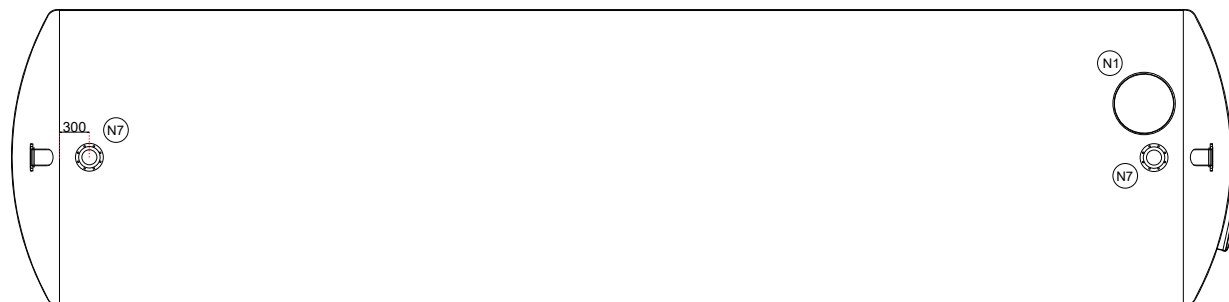
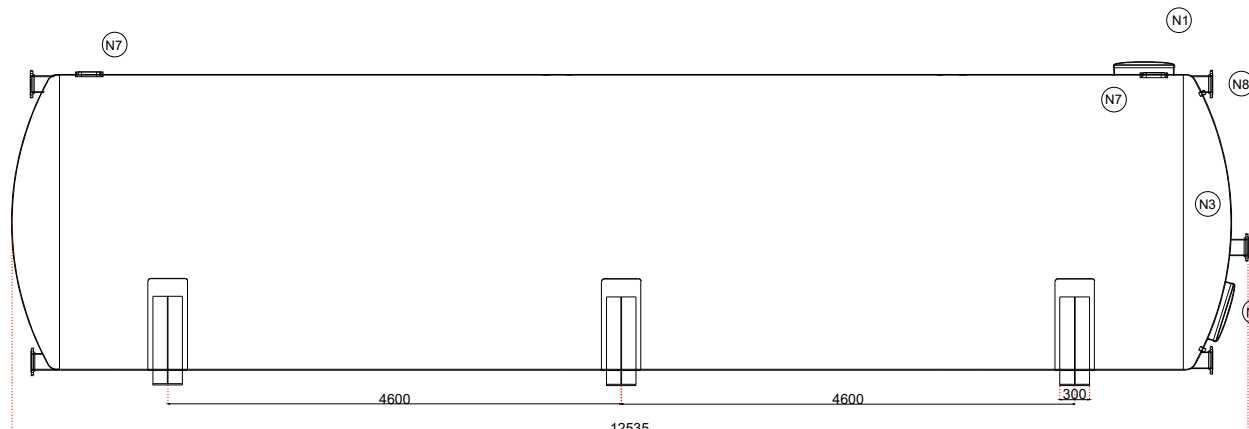
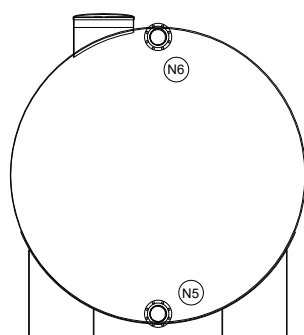


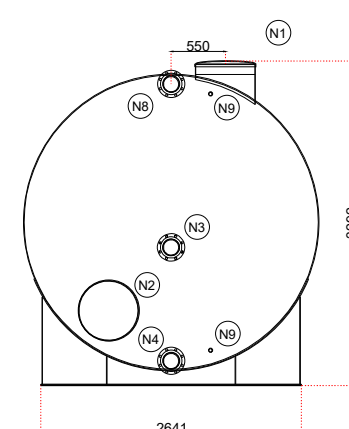
N9	4	25NB	SIGHT GLASS
N8	1	150NB	-
N7	2	150NB	VENT
N6	1	150NB	-
N4	1	150NB	OUTLET
N4	1	150NB	OUTLET
N3	1	150NB	FILL
N2	1	600NB	QUICK RELEASE MANWAY
N1	1	600NB	QUICK RELEASE MANWAY



VIEW ON TOP OF TANK



ELEVATION VIEW



END VIEW
VIEW ON A

GROUND LOADING DETAILS

Surface area touching the ground = 2.37m²
 Total weight when full with liquid with s.g of 1 = 88,000kgs
 Ground loading = 3.71kg/cm²

TANK TYPE	Horizontal Skid mounted tank
CAPACITY	80,000L
WEIGHT	8,000 KG
M.O.C	Carbon Steel
MAX. WORKING TEMP	70 °C
DESIGN PRESSURE	Atmospheric
INTERNAL LINING	None
REVISION NUMBER	R-2
ISSUE DATE	10-01-2023

Regal Tanks,
 Benzene Road,
 Beccles,
 Suffolk,
 NR34 7XD
 Tel: 01502 710100
 E-mail: info@regaltanks.co.uk
 Web: www.regaltanks.co.uk
 www.REGALTANKS.co.uk
 Industrial Storage Tanks