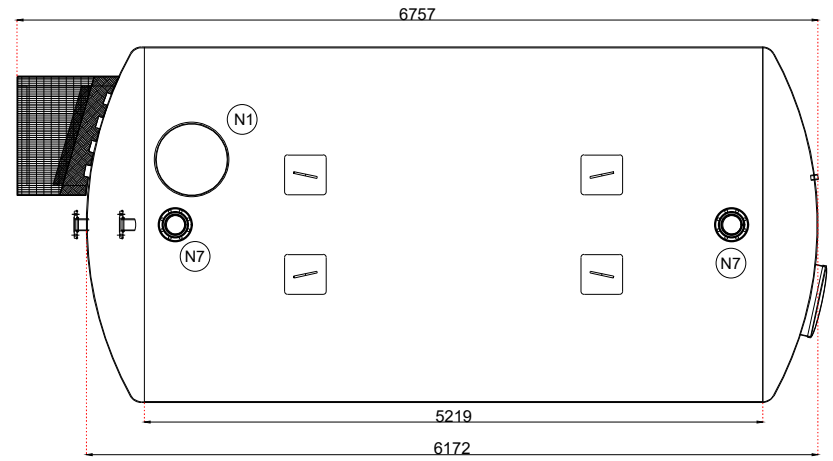
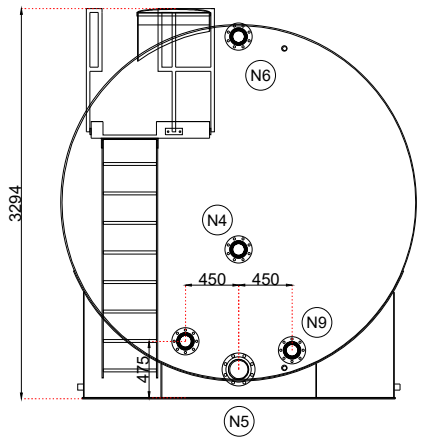


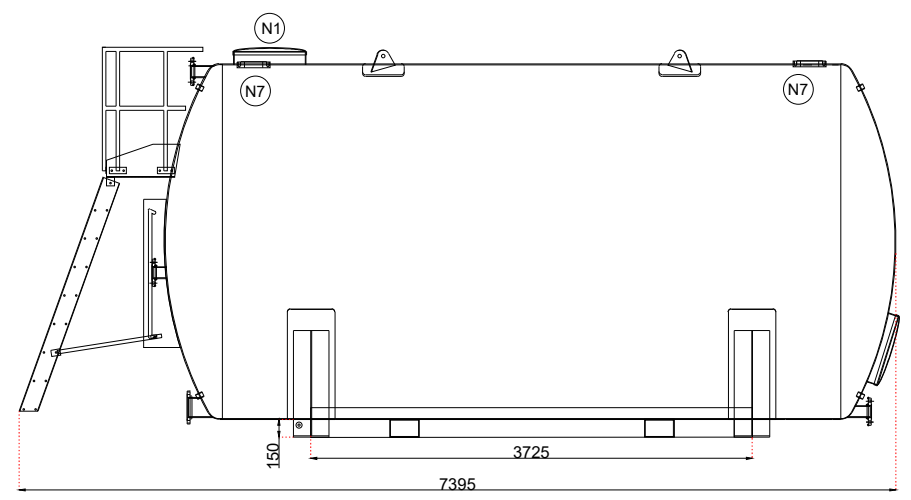
N1	1	600NB	QUICK RELEASE MANWAY
N2	1	600NB	QUICK RELEASE MANWAY
N3	1	100NB	OUTLET
N4	1	100NB	FILL
N5	1	150NB	OUTLET
N6	1	100NB	SPARE
N7	2	150NB	VENT
N8	1	25NB	SIGHT GLASS
N9	2	100NB	SPARE CONNECTIONS



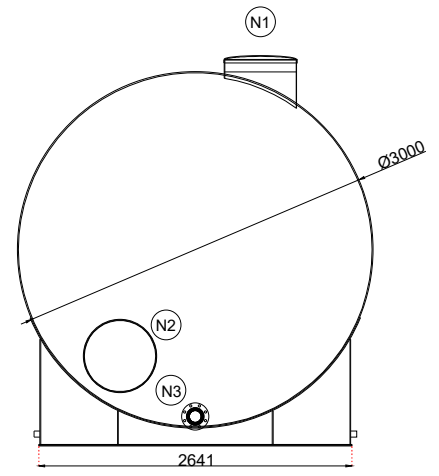
VIEW ON TOP OF TANK



END VIEW



ELEVATION VIEW



END VIEW

**GROUND LOADING DETAILS**

Total weight of the tank full is 46,500 kgs based on a liquid with an sg of 1.  
 Total Surface area of 3.76m<sup>2</sup> in contact with the ground  
 This gives a total force per square area of 0.12N/mm<sup>2</sup>

<b>TANK TYPE</b>	Horizontal storage tank	Regal Tanks, Benacre Road, Beccles, Suffolk, NR34 7XD Tel: 01502 710100 E-mail: info@regaltanks.co.uk Web: www.regaltanks.co.uk
<b>CAPACITY</b>	40,000L	
<b>WEIGHT</b>	5,500 KG	
<b>M.O.C</b>	Carbon Steel	
<b>MAX. WORKING TEMP</b>	70 °C	
<b>DESIGN PRESSURE</b>	Atmospheric	
<b>INTERNAL LINING</b>	None	
<b>REVISION NUMBER</b>	R-3	
<b>ISSUE DATE</b>	18-08-2023	

