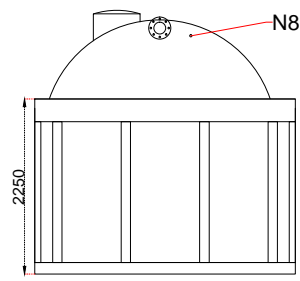
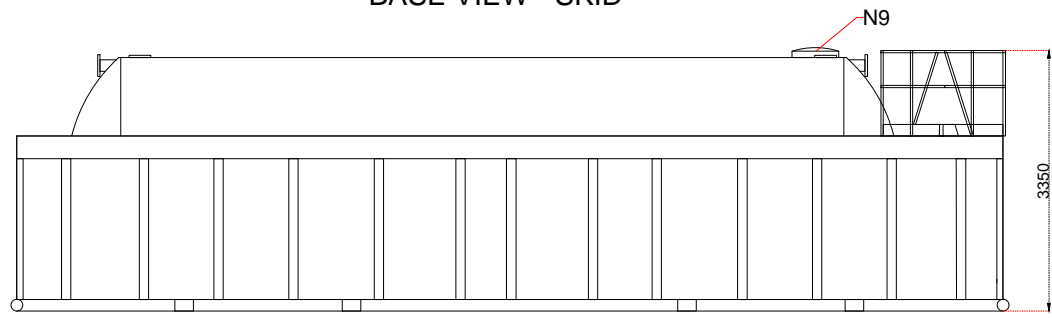


BASE VIEW - SKID

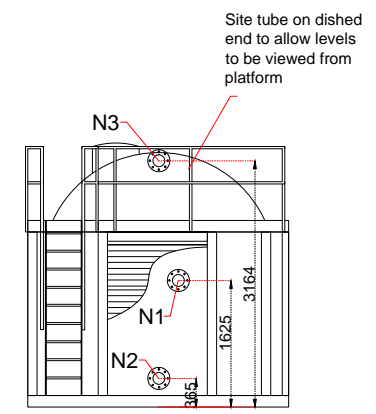
N1	6" ansi 150 flanged fill nozzle
N2	6" ansi 150 flanged outlet nozzle
N3	6" ansi 150 flanged nozzle
N4	8" ansi 150 flanged vent
N5	6" ansi 150 flanged nozzle
N6	6" ansi 150 flanged nozzle
N7	6" ansi 150 flanged nozzle (bottom)
N8	1" bsp threaded sockets (back of tank)
N9	600mm quick release manway



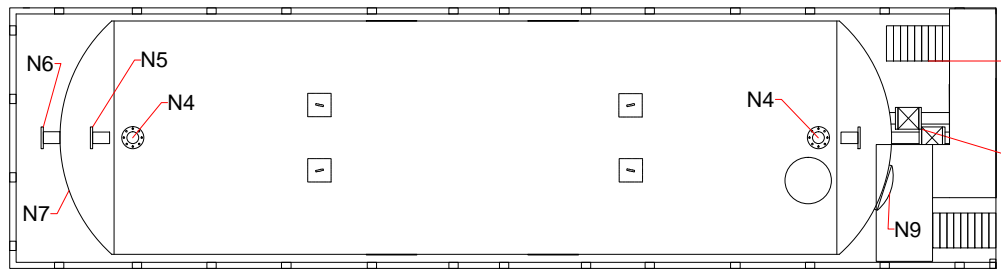
END VIEW



ELEVATION VIEW



END VIEW



VIEW ON TOP OF TANK

Access onto platform and into bund via steps

6" Gate valve fitted to fill and outlet lines, these can be operated from handles positioned on the gantry

Max operating pressure	Atmospheric
Max operating Temperature	70°C
Absolute Volume	72.000L
Safe operating Volume	97.5% (70.200L)

**Regal Tanks**  
70m3 Bunded tank  
Revision 4 29-07-2019

