



Regal Tanks
Ellough Park
Benacre Road
Beccles, Suffolk
NR34 7XD (UK)

Industrial Storage Tanks & Silos
Hire - New - Used

T: +44 (0) 1502 710100
F: +44 (0) 1502 710103
E: info@regaltanks.co.uk
W: www.regaltanks.co.uk

TANK DETAILS (used stock)



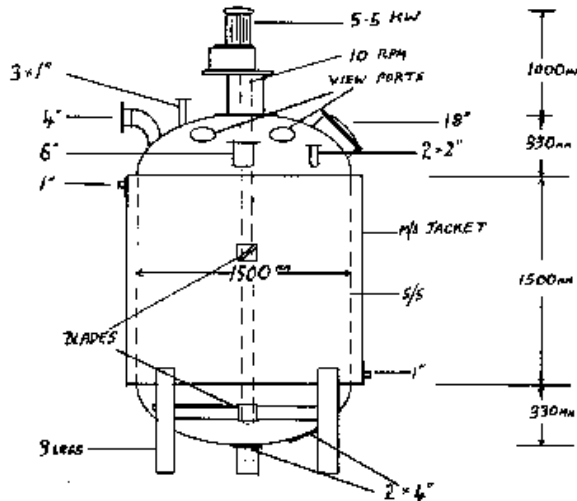
Stock ref: RT 0739

1 no. 3.2m³ (700 gallons) Stainless Steel, Vertical, Mixing Tank, Legs mounted. Welded construction.

Dimensions: 1,524mm(5') diameter

Weight: Unknown Kg (empty)

Comments: m/s jacket on barrel. 5.5 kw electric motor 10 rpm mixer.



Find us on the web with a fully searchable database at: www.regaltanks.co.uk

All used equipment sold on an "as is" basis. Descriptions, dimensions and illustrations are given in good faith, but are for guidance purposes only.

Bought & Sold:
Tanks, Silos, Bunded Tanks, Pressure Vessels,
Bowsers, Mixing Tanks, Pressure Silos,
Blowing Pods, Cyclones, Hoppers, etc.

Regallien Ltd trading as Regal Tanks
Company Registration 1968032
VAT Number: 496877757