



**www.REGALTANKS.co.uk**

Regal Tanks  
Ellough Park  
Benacre Road  
Beccles, Suffolk  
NR34 7XD (UK)

**Industrial Storage Tanks & Silos**  
Hire - New - Used

T: +44 (0) 1502 710100  
F: +44 (0) 1502 710103  
E: [info@regaltanks.co.uk](mailto:info@regaltanks.co.uk)  
Sales: [www.regaltanks.co.uk](http://www.regaltanks.co.uk)  
Hire: [www.eurotankhire.com](http://www.eurotankhire.com)

TANK DETAILS (used stock)



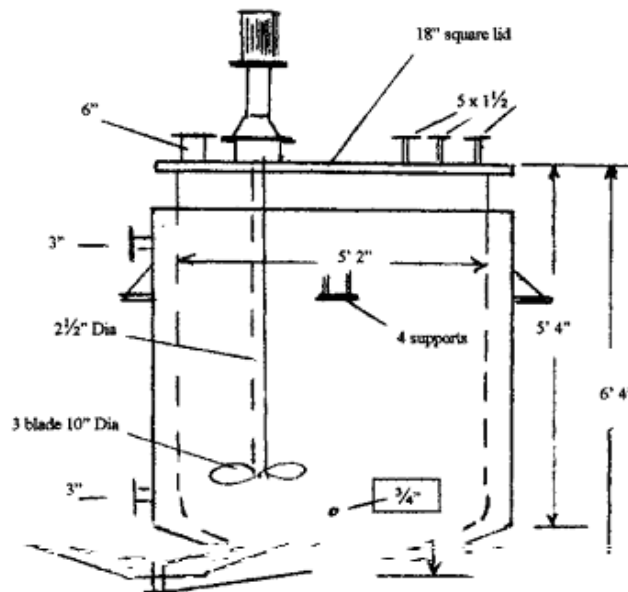
Stock ref: RT 0523

1 no. 3,000 litre (650 gallons) Stainless Steel, Vertical, Mixing Tank.

Dimensions: 1,624mm (5' 4") height x 1,580mm (5' 2") diameter

Thickness: 6mm (1/4" )

Comments: Mixers, propeller type, mild steel jacket with side supports.



Find us on the web with a fully searchable database at: [www.regaltanks.co.uk](http://www.regaltanks.co.uk)

All used equipment sold on an "as is" basis. Descriptions, dimensions and illustrations are given in good faith, but are for guidance purposes only.

Bought & Sold:  
Tanks, Silos, Bunded Tanks, Pressure Vessels,  
Bowsers, Mixing Tanks, Pressure Silos,  
Blowing Pods, Cyclones, Hoppers, etc.

Regallien Ltd trading as Regal Tanks  
Directors: DL Alger, NP Alger, TL Underwood  
Company Registration 1968032  
VAT Number: 496877757