



www.REGALTANKS.co.uk

Regal Tanks
ElloUGH Park
Benacre Road
Beccles, Suffolk
NR34 7XD (UK)

Industrial Storage Tanks & Silos
Hire - New - Used

T: +44 (0) 1502 710100
F: +44 (0) 1502 710103
E: info@regaltanks.co.uk
Sales: www.regaltanks.co.uk
Hire: www.eurotankhire.com

TANK DETAILS (used stock)

Stock ref: RT 0162

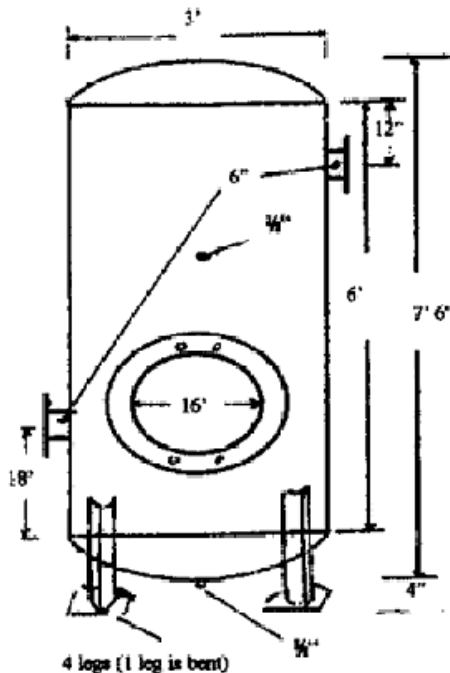
1 no. 1,360 litre (300 gallons) Mild Steel, Vertical, Pressure Vessel, Leg mounted.

Dimensions: 2,286mm (7' 6") height x 914mm (3') diameter

Thickness: 6mm (1/4")

Weight: 400Kg (empty)

Comments: 8.4 w.p.



Find us on the web with a fully searchable database at: www.regaltanks.co.uk

All used equipment sold on an "as is" basis. Descriptions, dimensions and illustrations are given in good faith, but are for guidance purposes only.

Bought & Sold:
Tanks, Silos, Bunded Tanks, Pressure Vessels,
Bowers, Mixing Tanks, Pressure Silos,
Blowing Pods, Cyclones, Hoppers, etc.

Regallien Ltd trading as Regal Tanks
Directors: DL Alger, NP Alger, TL Underwood
Company Registration 1968032
VAT Number: 496877757